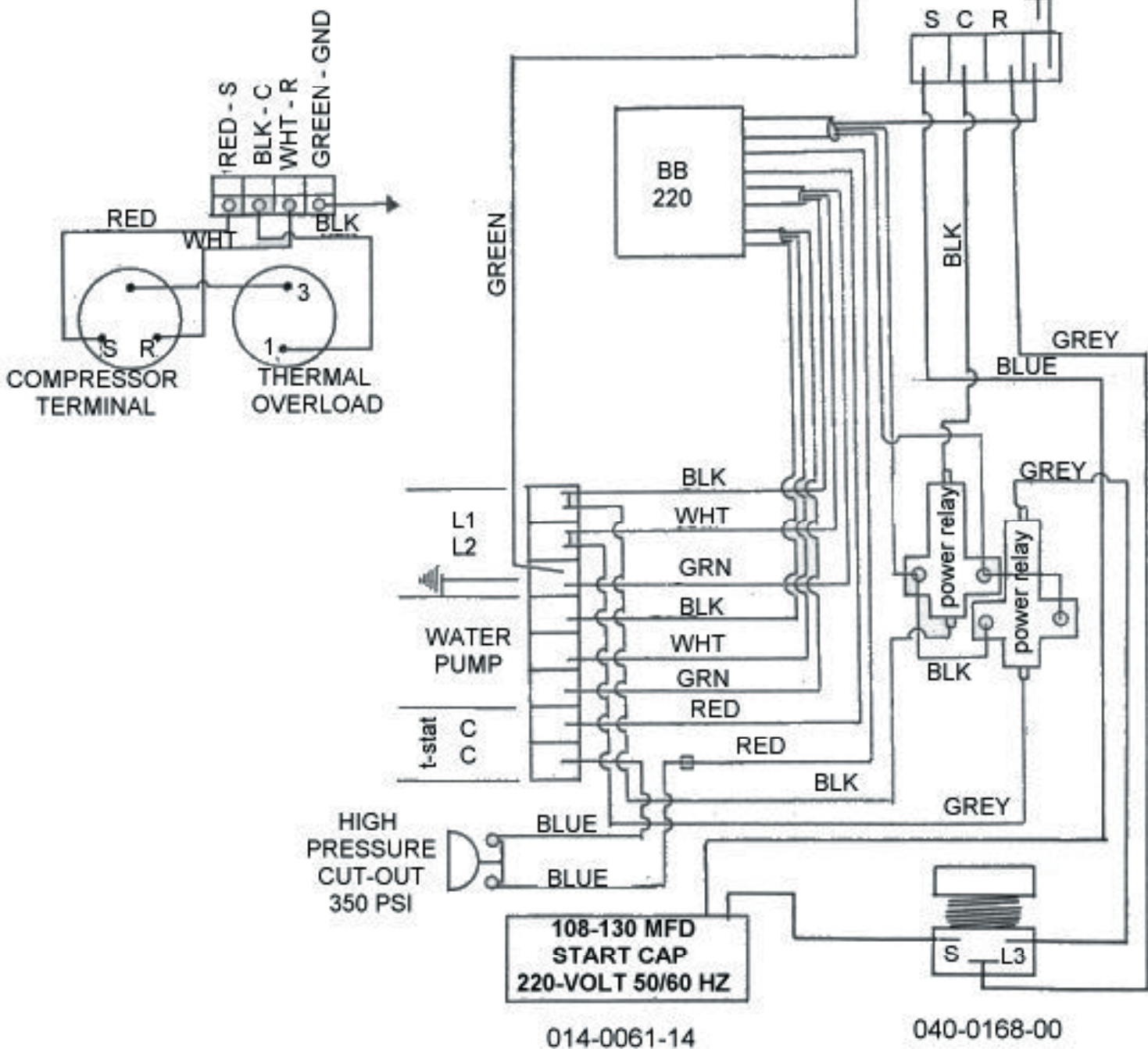


**NOTE: TO AVOID ELECTRICAL SHOCK
PANEL MUST BE MOUNTED INSIDE
CABINET.**

**PANEL UP ARROW MUST BE
UP TO OPERATE START RELAY.**



Compressor # RS64C2E-IAV-201

**SEA FROST BG 2000
220-VOLT 50/60 HZ**