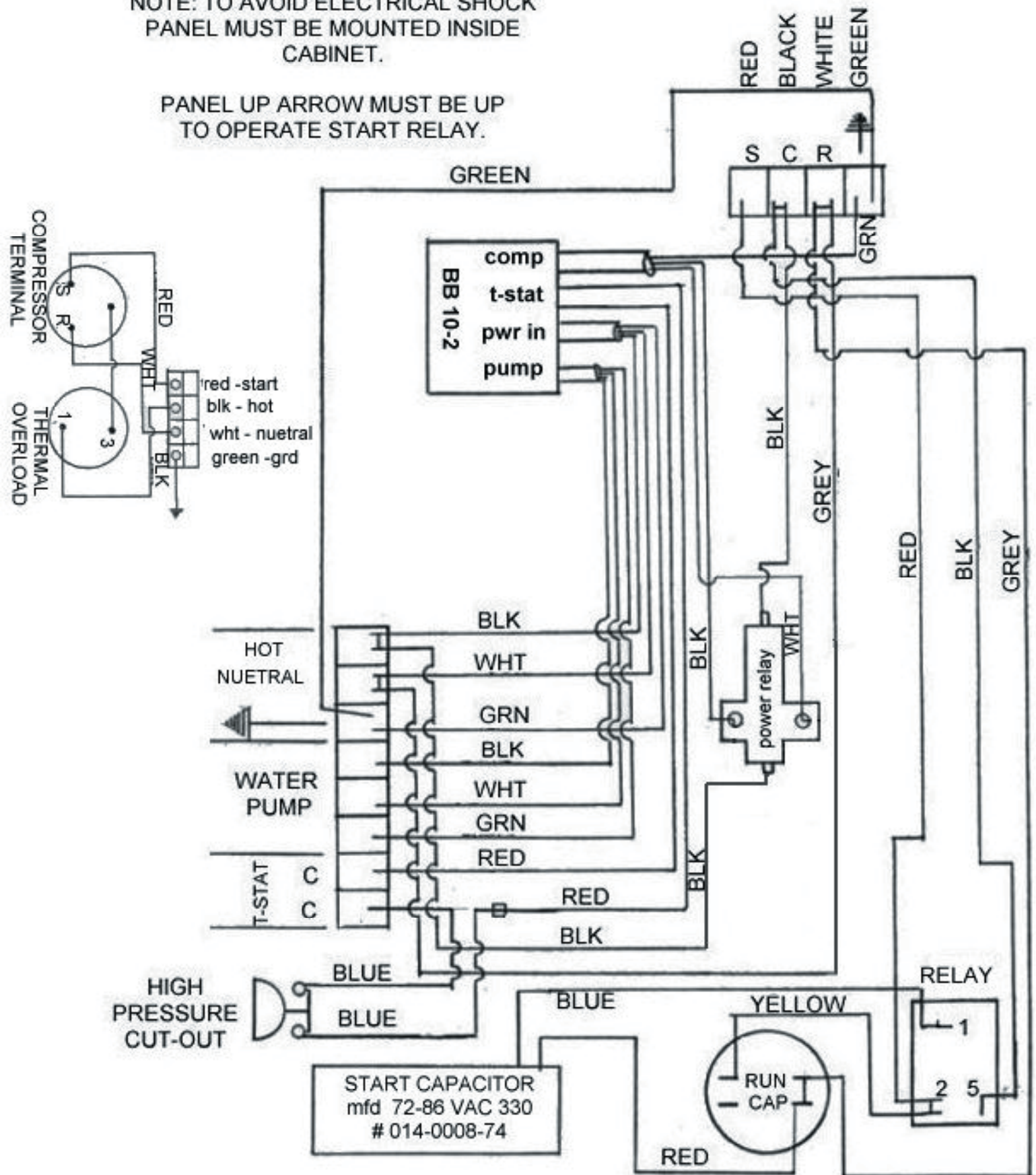


BG2000 110-Volt Wiring Revised- July 2006

NOTE: TO AVOID ELECTRICAL SHOCK
PANEL MUST BE MOUNTED INSIDE
CABINET.

PANEL UP ARROW MUST BE UP
TO OPERATE START RELAY.



Compressor # RS64C2E-CAA-201

RUN CAPACITOR mfd 30 # 014-0037-16
POTENTIAL RELAY # 040-0140-03