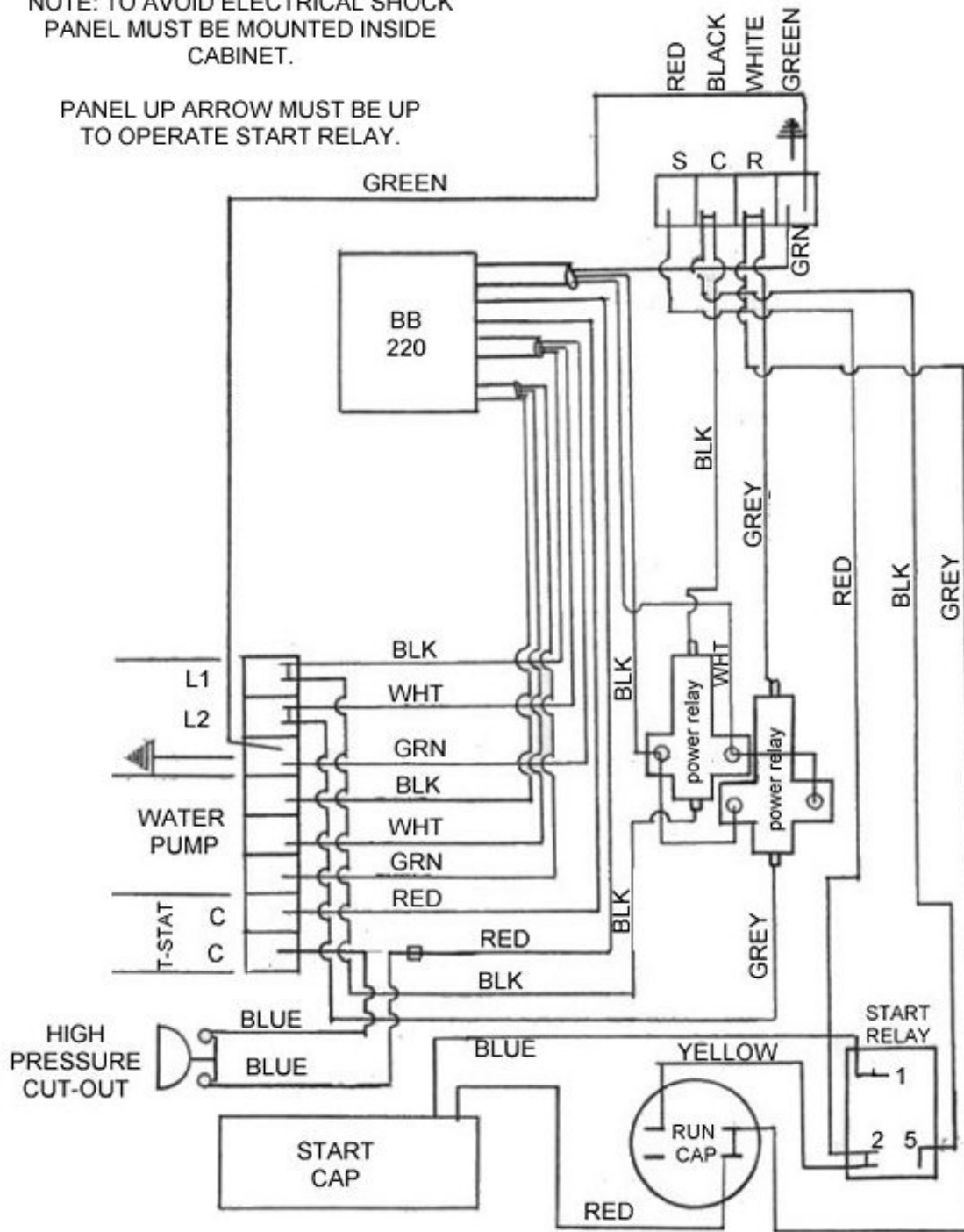


NOTE: TO AVOID ELECTRICAL SHOCK
PANEL MUST BE MOUNTED INSIDE
CABINET.

PANEL UP ARROW MUST BE UP
TO OPERATE START RELAY.



Rev 10/01

BG1000
220 VOLT 50/60 HZ