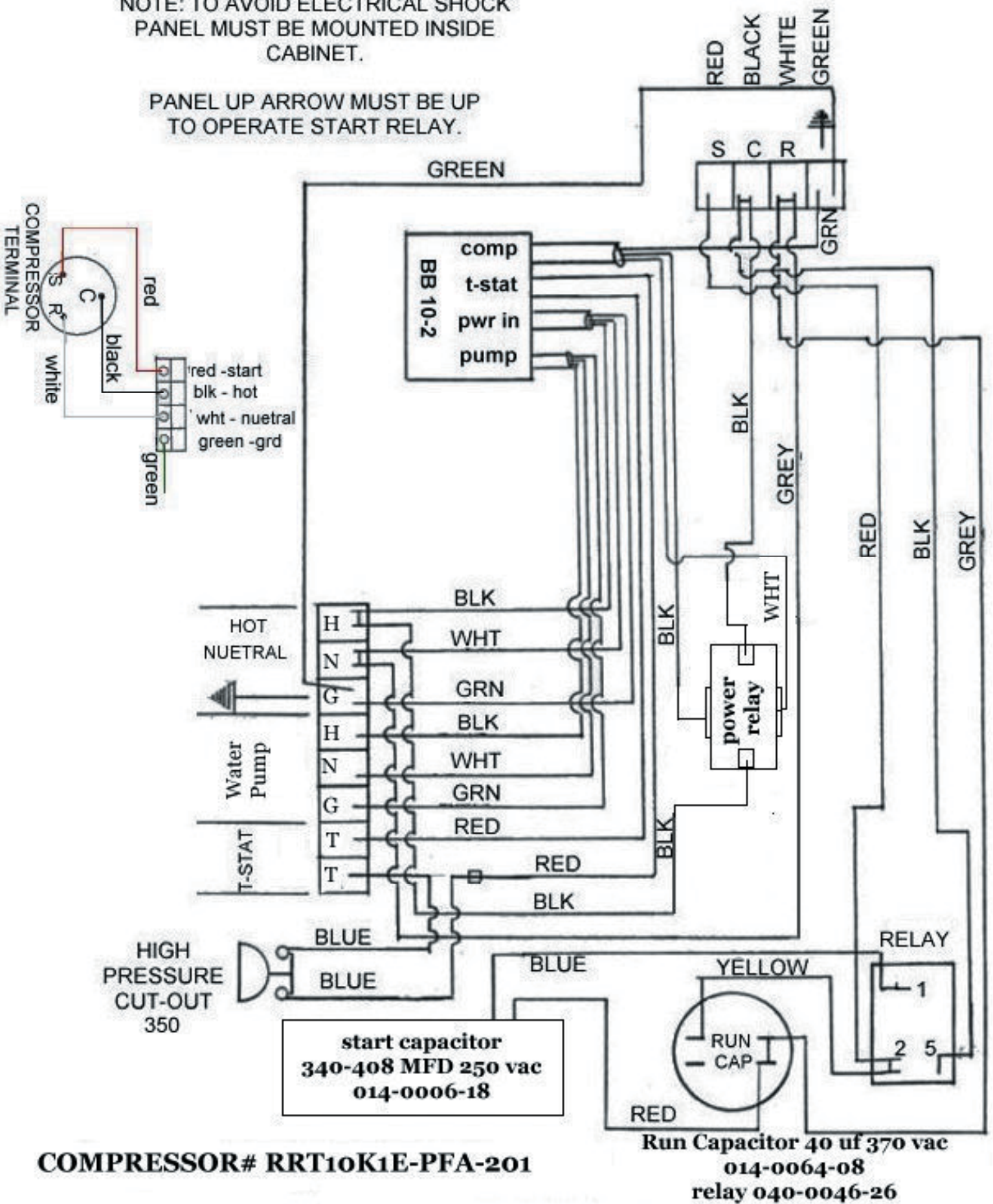


BG 1000 110-volt wiring (revised Nov.2011)

NOTE: TO AVOID ELECTRICAL SHOCK
PANEL MUST BE MOUNTED INSIDE
CABINET.

PANEL UP ARROW MUST BE UP
TO OPERATE START RELAY.



COMPRESSOR# RRT10K1E-PFA-201

**Run Capacitor 40 uf 370 vac
014-0064-08
relay 040-0046-26**